

7/19/2017

ITEMS REQUIRED: DRILL FLATHEAD SCREWDRIVER NEEDLE NOSE PLIERS WIRE STRIPPER/CRIMPER
1/4" DRILL BIT 10MM SOCKET WRENCH ADJUSTABLE WRENCH RUBBING ALCOHOL
T-27 TORX BIT ADHESIVE REMOVER

INSTALLATION: REFER TO THE OPERATORS MANUAL FOR INFORMATION REGARDING THE REMOVAL OF BODY PANELS ETC.

NOTE: DISCONNECT GROUND (-) FROM BATTERY BEFORE WIRING.

FOR THE SPYDER RS:

TURN SIGNAL FUNCTION IS CONNECTED INTO MIRROR WIRING WHILE RUNNING LIGHT FUNCTION IS CONNECTED TO HEADLIGHT WIRING. REFER TO OPERATORS MANUAL FOR ACCESS TO THIS WIRING.

FOR THE SPYDER RT:

1. FOR ACCESS TO WIRING YOU WILL NEED TO REMOVE THE MIDDLE SIDE PANELS, MIRRORS, SERVICE COVERS, TOP SIDE PANELS, FRONT FASCIA, AND HEADLIGHTS (IN THAT ORDER). TURN SIGNAL IS CONNECTED INTO MIRROR WIRING WHILE RUNNING LIGHT IS CONNECTED TO HEADLIGHT WIRING.
2. TO REMOVE THE MIDDLE SIDE PANEL: OPEN SEAT AND GLOVE BOX. PULL THE REAR OF THE PANEL OUT OF ITS GROMMET. SLIDE DOWN THE TOP OF THE PANEL TO FREE THE PANEL HOOK. THEN PULL THE REMAINING BOTTOM AND FRONT PARTS OUT OF THEIR GROMMETS. FINALLY, SLIDE THE FRONT OF THE PANEL TO REMOVE. REPEAT ON OPPOSITE SIDE PANEL.
3. REMOVE THE MIRROR: TO REMOVE, FIRMLY PULL OUT ON THE BOTTOM RELEASING TABS THEN PULL UP. (NO TOOLS NEEDED). DISCONNECT WIRING. REPEAT ON OPPOSITE SIDE MIRROR.
4. REMOVE THE SERVICE COVERS: TO REMOVE, OPEN FRONT STORAGE COMPARTMENT. LEFT AND RIGHT SIDES ARE EACH HELD IN WITH ONE PLASTIC RIVET. USE FLATHEAD SCREWDRIVE TO REMOVE RIVET, PULL COVER LOOSE FROM TAB.
5. REMOVE THE TOP SIDE PANEL: TO REMOVE, UNATTACH THE LOWER WIND DEFLECTOR BY REMOVING THE TWO SCREWS WITH A T-27 TORX BIT. REMOVE THE REAR RETAINING SCREW FROM THE TOP SIDE PANEL. REPEAT ON OPPOSITE SIDE.
6. REMOVE THE FRONT FASCIA: TO REMOVE, UNFASTEN BOTH UPPER AND SIDE (MIDDLE) SCREWS. THEN REMOVE THE TWO LOWER RETAINING SCREWS FROM THE FRONT. CAREFULLY REMOVE FRONT FASCIA.
7. REMOVE THE HEADLIGHTS: TO REMOVE, UNFASTEN FOUR SCREWS FOR EACH HEADLIGHT USING 10MM SOCKET WRENCH. USING AN ADJUSTABLE WRENCH LOOSEN THE HEADLIGHT ADJUSTMENT CABLE'S RETAINING NUT TO DISCONNECT. CAREFULLY PULL OUT.

MOUNTING:

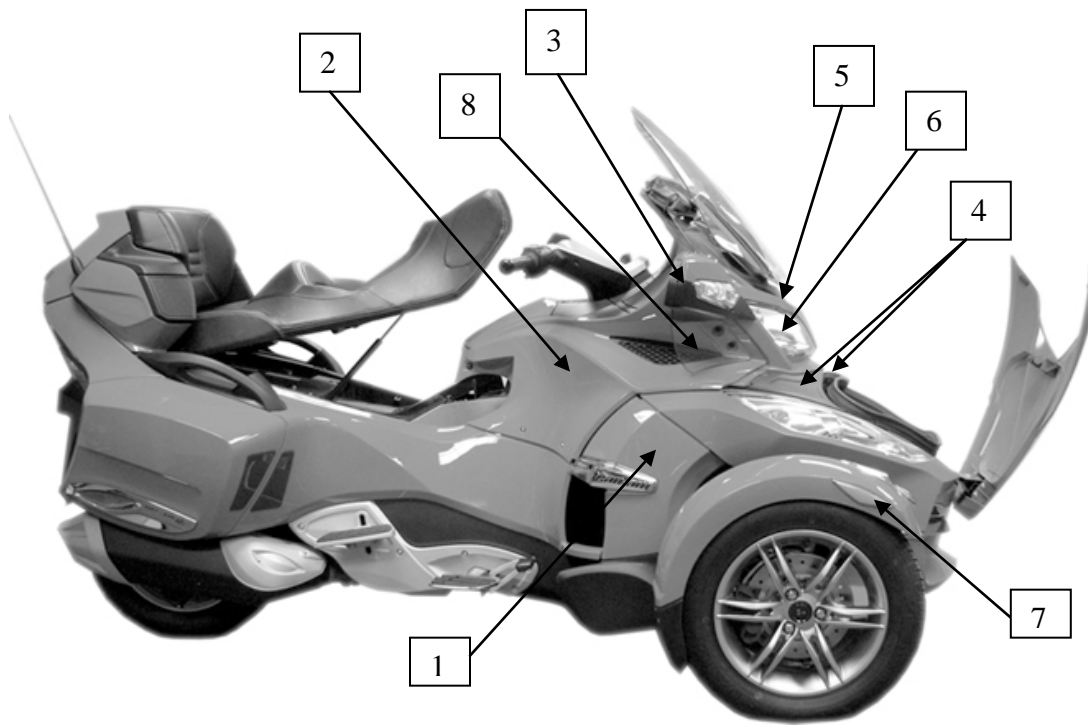
8. REMOVE OEM REFLECTORS FROM LEFT AND RIGHT FENDERS. USE PRYING TOOL AND HEAT GUN (IF POSSIBLE) TO CAREFULLY SEPARATE OEM REFLECTOR FROM FENDER. CLEAN AREA SO THAT IT IS FREE OF ADHESIVE. USE OF ADHESIVE REMOVER IS RECOMMENDED **NOTE: BE CAREFUL AS TO NOT DAMAGE FENDER WHILE REMOVING.**
9. DRILL HOLE FOR WIRING THROUGH FENDER. BEFORE DRILLING, LOCATE WHERE THE WIRE MEETS THE FENDER. THEN CAREFULLY DRILL THROUGH FENDER USING 1/4" DRILL BIT. **NOTE: DO NOT CONTACT OR DAMAGE TIRE WITH DRILL.**
10. CLEAN SURFACE OF DRILL SHAVINGS. USE RUBBING ALCOHOL TO PREPARE SURFACE FOR DOUBLE-SIDED TAPE.
11. ROUTE L.E.D. TURN SIGNAL/REFLECTOR WIRING THROUGH THE 1/4" HOLE. THEN FEED THE THREE WIRES THROUGH FENDER FOLLOWING THE OTHER WIRING INTO THE BODY. ROUTE UP TOWARDS THE MIRROR AND HEADLIGHTS.
12. REMOVE TAPE MASKING FROM BACK OF L.E.D. TURN SIGNAL/REFLECTOR. CAREFULLY, MOUNT PART TO FENDER BY APPLYING EVEN PRESSURE.

WIRING:

13. LOCATE THE TURN SIGNAL WIRE HARNESS IN THE MIRROR, CUT BACK THE BLACK SHEATH TO EXPOSE THE WIRES.
14. LOCATE THE RUNNING LIGHT WIRE HARNESS BEHIND THE HEADLIGHTS. CUT BACK THE BLACK SHEATH TO EXPOSE THE WIRES.
15. CONNECT TURN SIGNAL FUNCTION: IN THE MIRROR WIRING, CRIMP A RED T-TAP ONTO THE POSITIVE WIRE USING A NEEDLE NOSE PLIERS OR WIRE STRIPPER/CRIMPER. THEN ATTACH A FEMALE SPADE CONNECTOR TO THE RED LED WIRE AND CONNECT. REPEAT ON OPPOSITE SIDE.
16. CONNECT RUNNING AND GROUND: IN HEADLIGHT WIRING HARNESS, CRIMP A RED T-TAP ONTO THE RUNNING LIGHT WIRE AND ANOTHER ONTO THE GROUND USING A NEEDLE NOSE PLIER. THEN ATTACH FEMALE SPADE CONNECTORS TO THE BLUE AND BLACK LED WIRES. ATTACH BLUE TO RUNNING LIGHT AND BLACK TO GROUND. CONNECT. REPEAT ON OPPOSITE SIDE.

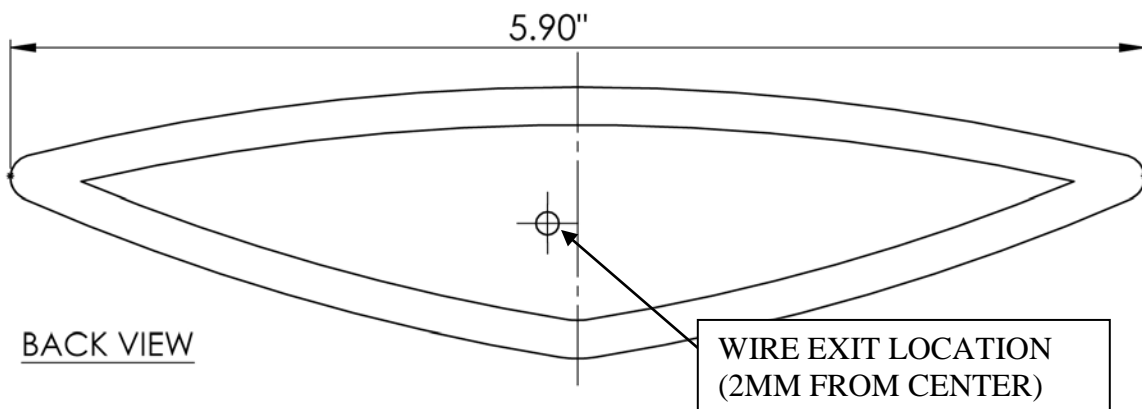
FINISH:

17. RECONNECT NEGATIVE TO BATTERY. TEST FUNCTION OF LIGHTS.
18. USE PROVIDED WIRE TIES TO FASTEN WIRE TO INSIDE OF FENDER AND INTO BODY AVOIDING ALL MOVING PARTS.
19. REPLACE ALL REMOVED PARTS AND PANELS IN REVERSE ORDER AS SHOWN ABOVE.



PART AND PANEL DESCRIPTION:

- 1. MIDDLE SIDE PANEL
- 2. TOP SIDE PANEL
- 3. MIRROR
- 4. SERVICE COVERS (INSIDE FRONT STORAGE, LEFT AND RIGHT)
- 5. FRONT FASCIA
- 6. HEADLIGHTS
- 7. MOUNTING LOCATION
- 8. LOWER WIND DEFLECTOR



BACK VIEW

WIRE EXIT LOCATION
(2MM FROM CENTER)

Scan code
with you
smartphone
to view video

