

Copyright © 2015 by Big Bike Parts, Inc. No part of this instruction sheet may be reproduced without the written permission of Big Bike Parts, Inc.

PART NO. 41-176

DRIVERS FLOORBOARD KIT

CAN-AM, RT-SE WITHOUT FACTORY DRIVERS FLOORBOARDS 2010-NEWER

2/18/2016

TOOLS NEEDED:	T27 TORX DRIVER	10MM WRENCH	15MM WRENCH	17MM WRENCH	PLIER
HARDWARE INCLUDED:	LEFT RUBBER PAD (1X) RIGHT SIDE BEACHCOMBER BOARD (1X) LEFT SIDE BEACHCOMBER BOARD (1X) RIGHT AND LEFT MOUNT (1 OF EACH)			M10-1.5 X 150MM LONG CLASS 12.9 HEX BOLT (1X) M10-1.5 X 100MM LONG CLASS 12.9 HEX BOLT (1X) RUBBER WASHER (1X) RIGHT RUBBER PAD (1X)	

NOTE: THREAD LOCK COMPOUND SHOULD BE USED ON ALL HARDWARE.
PLEASE READ THROUGH AND UNDERSTAND THESE INSTRUCTIONS BEFORE BEGINNING.
ESTIMATED INSTALLATION TIME: 40 TO 60 MIN.

INSTALLATION:

- STARTING ON THE LEFT SIDE USE A 10MM WRENCH AND REMOVE THE 2 BOLTS HOLDING THE FOOT PEG WEIGHT TO THE FOOT PEG. THE WEIGHT AND BOLTS WILL NOT BE REUSED.
- USING A 15MM WRENCH ON THE INSIDE AND A 17MM WRENCH ON THE OUTSIDE REMOVE THE TOP BOLT HOLDING THE FOOT PEG TO THE FOOT PEG SUPPORT CASTING. THE FLAT WASHER AND THE LOCKING NUT WILL BE REUSED. THE OEM BOLT WILL NOT BE REUSED.
- USING A T27 TORX DRIVER REMOVE THE M6 X 20MM TORX SCREW FROM THE INSIDE BOTTOM OF THE FOOT PEG. THE TORX SCREW WILL BE REUSED.
- TAKE THE LEFT RUBBER PAD AND REMOVE THE MASKING. PLACE THE LEFT RUBBER PAD ON THE BACK OF THE LEFT MOUNT AS SHOWN IN THE FIGURE 1 BELOW.
- TAKE THE NEW LEFT CHROME MOUNT AND ATTACH IT TO THE FOOT PEG SUPPORT CASTING WITH THE M6 X 20MM TORX SCREW YOU JUST REMOVED.
- USING THE M10 X 100MM BOLT SUPPLIED, FEED IT THROUGH THE LEFT FLOORBOARD, LEFT MOUNT, LEFT RUBBER PAD, AND THE FOOT PEG CASTING.
- INSTALL THE FLAT RUBBER WASHER (SUPPLIED), M10 FLAT WASHER AND LOCKING NUT YOU REMOVED IN STEP 2 AND TIGHTEN USING A 17MM WRENCH. ADJUST THE POSITION OF THE BOARD AS YOU TIGHTEN IT.
- GO TO THE RIGHT SIDE AND USING A 10MM WRENCH REMOVE THE FOOT PEG WEIGHT. THE WEIGHT AND BOLTS WILL NOT BE REUSED.
- USE A PLIER TO REMOVE THE COTTER PIN FROM THE FRONT OF THE FOOT BRAKE LINKAGE AND DISCONNECT THE BRAKE LINK FROM THE BRAKE PEDAL.
- USING A 15MM WRENCH ON THE INSIDE AND A 17MM WRENCH ON THE OUTSIDE REMOVE THE TOP BOLT HOLDING THE FOOT PEG TO THE FOOT PEG SUPPORT CASTING. THE LOCKING NUT WILL BE REUSED. THE FLAT WASHER AND OEM BOLT WILL NOT BE REUSED.
- REMOVE THE OEM BOLT AND THE BRAKE PEDAL AND 2 FLAT SPACERS WILL DROP OUT FROM THE FOOT PEG CASTING. NOTE THE POSITION OF THE FLAT SPACERS SO THAT WHEN YOU REASSEMBLE THE BRAKE PEDAL YOU CAN PUT THEM BACK INTO THE SAME LOCATION.
- USING A T27 TORX DRIVER REMOVE THE M6 X 20MM TORX SCREW FROM THE INSIDE BOTTOM OF THE FOOT PEG. THE TORX SCREW WILL BE REUSED.
- TAKE THE RIGHT RUBBER PAD AND REMOVE THE MASKING. PLACE THE RIGHT RUBBER PAD ON THE BACK OF THE RIGHT MOUNT AS SHOWN IN THE FIGURE 1 BELOW.
- TAKE THE NEW RIGHT CHROME MOUNT AND ATTACH IT TO THE FOOT PEG SUPPORT CASTING WITH THE M6 X 20MM TORX SCREW YOU JUST REMOVED.
- USING THE M10 X 150MM BOLT SUPPLIED, FEED IT THROUGH THE RIGHT FLOORBOARD, RIGHT MOUNT, RIGHT RUBBER PAD, AND THE FOOT PEG CASTING.
- USE SOME THIN OR DOUBLE SIDED TAPE TO POSITION THE BRAKE PEDAL SPACERS ON THE BRAKE PEDAL AND SLIDE THE PEDAL BACK INTO POSITION.
- FEED THE M10 X 150MM BOLT THROUGH THE BRAKE PEDAL AND THE SPACERS AND THROUGH THE SHEET METAL BRACKET BEHIND THE BRAKE. (IT MAY HELP TO LOOSEN THE SHEET METAL BRACKET BEFORE INSTALLING BRAKE PEDAL.)
- INSTALL THE M10 LOCKING NUT ON THE INSIDE AND TIGHTEN. ADJUST THE POSITION OF THE BOARD AS YOU TIGHTEN IT.
- RECONNECT THE BRAKE LINK AND INSTALL THE COTTER PIN YOU REMOVED. CHECK TO MAKE SURE THE FOOT BRAKE IS WORKING PROPERLY.

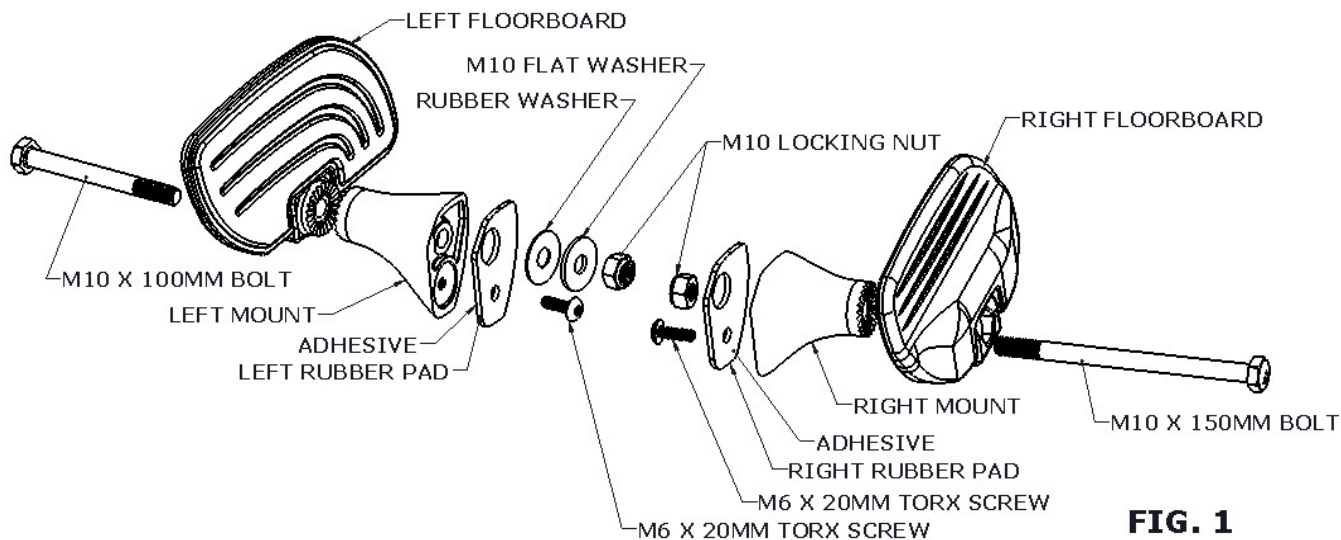


FIG. 1

Scan code with your smartphone to view video

