

Copyright © 2021 by Big Bike Parts, Inc. No part of this instruction sheet may be reproduced without the written permission of Big Bike Parts, Inc.

PART NO. 41-207BK

MINI LED KIT

FITMENT: CAN-AM SPYDER RT/LTD 2020-NEWER

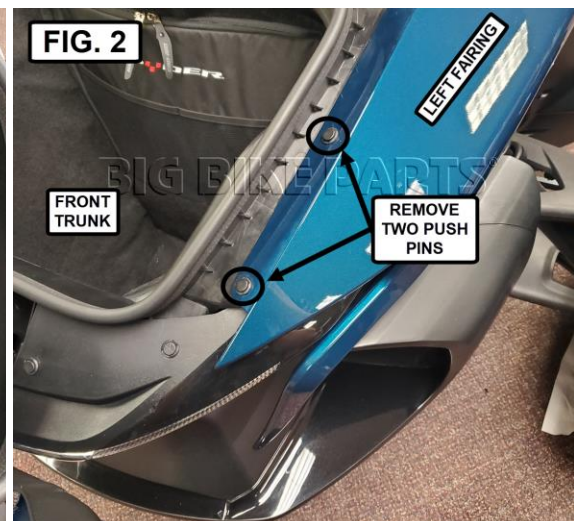
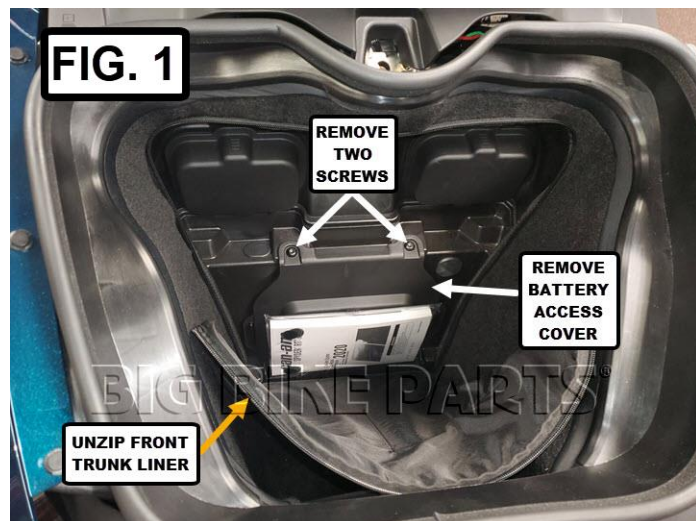
1/21/21

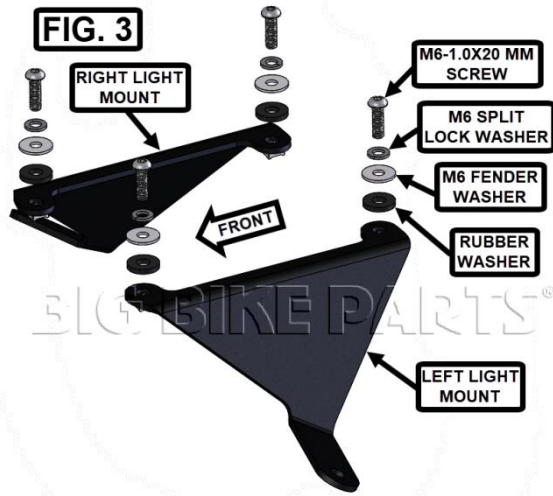
TOOLS NEEDED:	2MM ALLEN WRENCH	4MM ALLEN WRENCH	PUSH PIN PLIERS	13MM WRENCH	10MM WRENCH
	T30 TORX	13/16" DRILL BIT	DRILL	WIRE CUTTER/CRIMPER	REMOVABLE THREAD LOCK

PLEASE READ THROUGH AND UNDERSTAND THESE INSTRUCTIONS BEFORE BEGINNING. BE SURE ANY THREAD LOCK CURES BEFORE USE OF THIS PRODUCT. ESTIMATED INSTALLATION TIME: 90 TO 120 MIN.

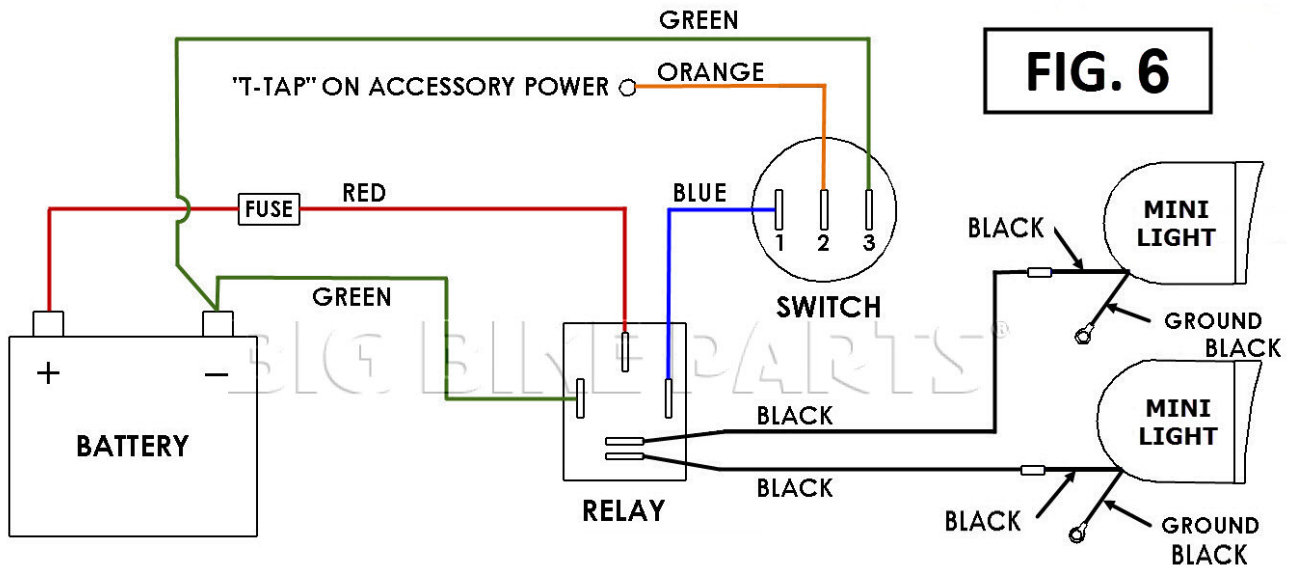
INSTALLATION:

- REMOVE THE TWO MINI LIGHTS FROM THE KIT. USING A 2MM ALLEN WRENCH REMOVE THE THREE SMALL SET SCREWS. INSTALL THE LED BULB. APPLY A SMALL DROP OF REMOVABLE THREAD LOCK TO EACH SET SCREW AND REINSTALL THE SET SCREWS. CLEAN OFF ANY EXTRA THREAD LOCK.
- OPEN THE FRONT TRUNK LID.
- UNZIP THE FRONT TRUNK LINER TO ACCESS THE BATTERY ACCESS PANEL (FIG. 1).
- USE A T30 TORX BIT TO REMOVE THE TWO SCREWS HOLDING THE BATTERY ACCESS COVER (FIG. 1). REMOVE THE BATTERY ACCESS COVER.
- DISCONNECT THE POSITIVE AND NEGATIVE BATTERY CABLES.
- STARTING ON THE LEFT SIDE, REMOVE THE TWO PUSH PINS SECURING THE FRONT OF THE LEFT FAIRING TO THE FRONT TRUNK (FIG. 2).
- USE FIG. 3 TO DETERMINE THE LEFT AND RIGHT MOUNTS. SET THE RIGHT MOUNT ASIDE FOR NOW.
- USING A 4MM ALLEN WRENCH, INSTALL THE LEFT LIGHT MOUNT ACCORDING TO FIG. 3 AND FIG. 4. (YOU MAY NEED TO LIFT SLIGHTLY ON THE FRONT OF THE FAIRING TO ALLOW MORE ROOM FOR THE MOUNT TO BE MOVED IN PLACE.)
- USE A 13MM WRENCH TO INSTALL ONE OF THE MINI LIGHTS ON THE LEFT LIGHT MOUNT AS SHOWN IN FIG. 5. DO NOT TIGHTEN COMPLETELY.
- USING A 10MM WRENCH AND A 4MM ALLEN WRENCH, TIGHTEN THE M6 SCREW AND NYLOCK NUT ON THE MINI LIGHT BUT LEAVE IT LOOSE ENOUGH SO THAT YOU WILL STILL BE ABLE TO ADJUST IT (FIG. 5).
- REPEAT STEPS 6 THROUGH 10 FOR THE LIGHT ON THE OTHER SIDE OF THE BIKE.
- FIND A PLACE TO MOUNT THE RELAY AWAY FROM DIRECT HEAT AREAS OR MOVING PARTS.
- TAKE THE TWO LONG BLACK WIRES FROM THE KIT AND CONNECT EACH WIRE TO ONE WIRE ON EACH NEW MINI LIGHT (THESE LIGHTS ARE NOT POLARITY SENSITIVE). USE SUPPLIED BULLET CONNECTORS.
- ROUTE THE BLACK WIRES TO THE RELAY AND CONNECT THEM TO THE RELAY. SEE FIG. 6 FOR WIRE LOCATION.
- CONNECT THE TWO NEGATIVE WIRES ON THE LIGHTS TO A GROUND ON THE BIKE.
- FIND A PLACE TO MOUNT THE SWITCH FROM THE LIGHT KIT.
- USING A 13/16" DRILL BIT DRILL A MOUNTING HOLE FOR THE ROUND SWITCH. (BBP RECOMMENDS USING A STEP DRILL WHEN DRILLING PLASTIC)
- TAKE THE THREE WIRE HARNESS WITH THE BLUE, ORANGE, AND GREEN WIRES FROM THE KIT AND FEED THE END WITH THE THREE SPADE CONNECTORS THROUGH FROM THE INSIDE OF THE HOLE FOR THE SWITCH.
- CONNECT THE THREE WIRES AS SHOWN IN FIG. 6. PUSH THE SWITCH INTO PLACE.
- CONNECT THE BLUE WIRE FROM THE SWITCH TO THE RELAY (FIG. 6).
- CONNECT THE ORANGE WIRE TO A KEYED POSITIVE WIRE ON THE BIKE USING THE T-TAP SUPPLIED WITH THE KIT. (BBP RECOMMENDS USING AN ISOLATION FUSE BLOCK WHEN ADDING ELECTRICAL ACCESSORIES)
- ROUTE THE GREEN WIRE TO THE NEGATIVE TERMINAL ON THE BIKES BATTERY. DO NOT CONNECT AT THIS STEP.
- TAKE THE HARNESS WITH THE GREEN AND RED WIRES AND CONNECT THE SPADE CONNECTORS TO THE RELAY. SEE FIG. 6.
- ROUTE THE RED WIRE TO THE POSITIVE TERMINAL AND THE GREEN WIRE TO THE NEGATIVE TERMINAL ON THE BIKES BATTERY.
- RECONNECT THE POSITIVE TERMINAL ON THE BATTERY INCLUDING THE NEW RED WIRE FROM THE RELAY.
- RECONNECT THE NEGATIVE TERMINAL ON THE BATTERY INCLUDING BOTH NEW GREEN WIRES.
- TURN KEY ON AND TEST THE FUNCTION OF BOTH LIGHTS.
- USE WIRE TIES TO SECURE WIRING AS NEEDED.
- REPEAT STEPS 2 THROUGH 4 IN REVERSE ORDER.
- ADJUST THE POSITION OF EACH LIGHT AND TIGHTEN ALL HARDWARE. NOTE: RECHECK TIGHTNESS AFTER YOUR FIRST RIDE.





STEP DRILL



NOTICE

IGNORING THE CONTENTS OF THESE INSTRUCTIONS MAY AFFECT THE PRODUCT PERFORMANCE AND FUNCTIONALITY. NOT FOLLOWING THESE INSTRUCTION MAY CAUSE DAMAGE TO THE PRODUCT OR THE VEHICLE TO WHICH IT IS BEING ATTACHED.